

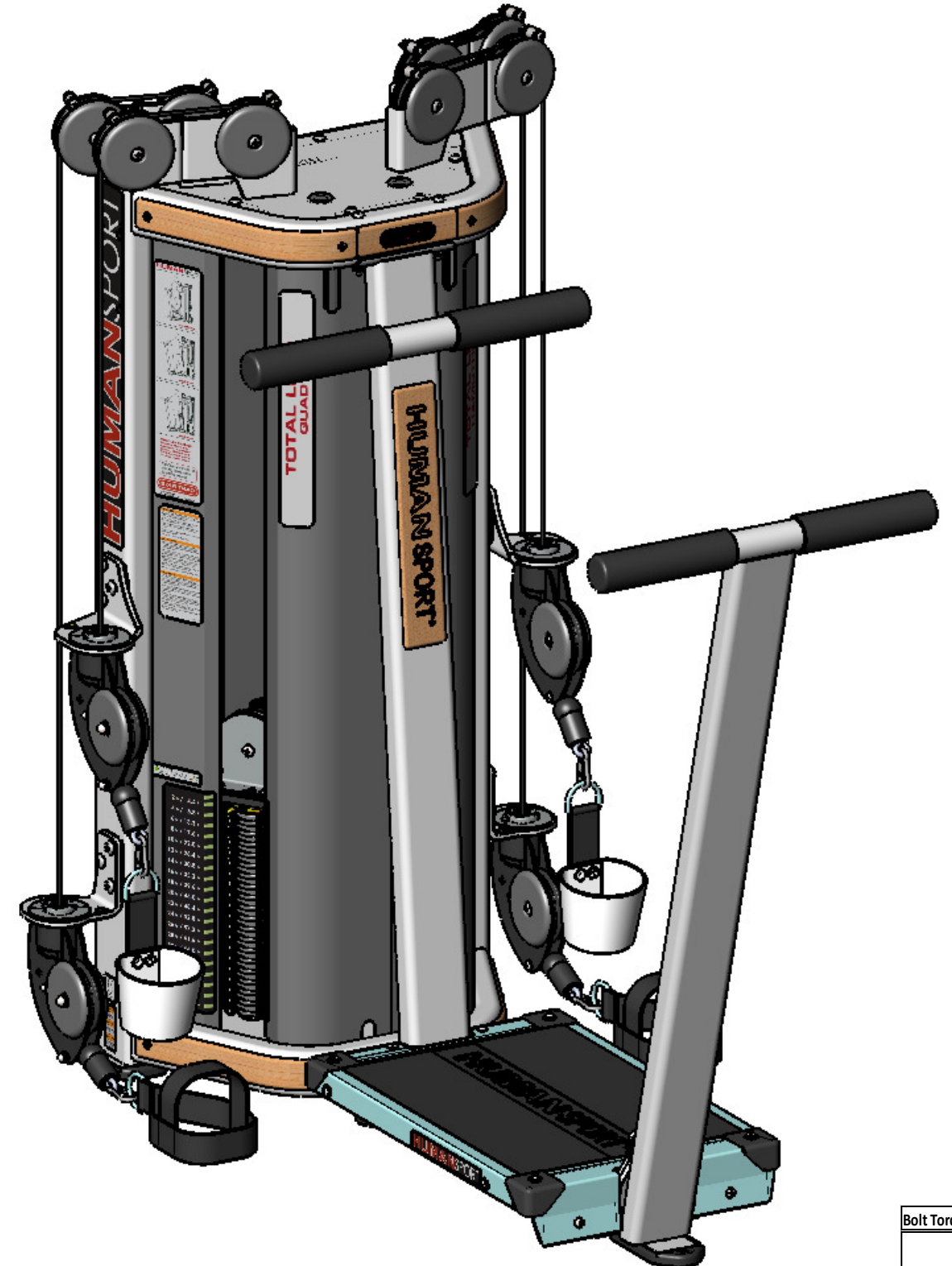


**Red: PAINTED ITEMS**

**Blue: KITS**

ITEM NO.	PART NO.	QTY.	DESCRIPTION
1	01-1011	2	Allen Socket Cap Head Bolt Serrated Shoulder M12-1.75x70mm
2	01-4134	12	SCREW,M12 X 1.75,35mm,BHC,HK, ZP
3	01-9315	4	BOLT,M6X1.00,16MM,HHC,HE,CS
4	01-9319	2	SCREW,M10 X 1.5,90MM,BHC,HK, ZP
5	01-9320	4	SCREW,M12 X 1.75,25MM,BHC,HK, ZP
6	01-9322	4	BOLT M12 X 1.75, 30MM HHC HE CS ZP
7	01-9324	8	BOLT, M8 X 1.25 20MM HHC HE ZP
8	02-4086	8	SCREW, M6 X 16 PAN TORX, ZP, THD FORMER
9	02-9329	8	SCREW M10 X 1.5, 25 MM BHC HK, ZP
10	020-6994	4	GRIP, SUPPORT, PLASTIC, HS
11	03-4067	4	EXTRUDED U-NUT M8 X 1.25
12	03-4248	6	Cage Nut 10mm for Panel 4.1 - 5.3mm
13	03-5203	2	NUT,M10x1.5,ACORN, CL6
14	03-5204	10	NUT,M12x1.75,ACORN, CL6
15	03-9081	12	M12 X 1.75 Blind Rivnut
16	04-5252	56	LOCK WASHER, M8
17	04-5253	14	LOCK WASHER, M10
18	04-5256	22	LOCK WASHER M12
19	050-2022	1	STICKER,STAR TRAC,DECO, 23MM X 99MM
20	050-2212	2	STICKER,SWITCH,HS
21	050-2213	2	DECAL, WEIGHT STACK - HS
22	050-2224	1	STICKER,LNL, HS (LEFT & RIGHT)
23	050-2225	2	DECAL, WARNING MULTI LANGUAGE - HS
24	050-2228	1	PLACARD, HAM/QUAD, HS
25	06-8013	1	CABLE HSTL2 RIGHT
26	06-8013	1	CABLE HSTL2 LEFT
27	09-8172	4	1 3/4 DIA HOLE PLUG
28	09-8341	10	120mm OD pulley with 17mm ID Bearing
29	12-1655	8	PLUG-PRY OUT, .205 DIA
30	12-1688	2	HumanSport Tower Decal
31	12-8008	1	TAG, ASSEM. DIMS, HSTL
32	12-8014	2	Decal Human Sport, 1.125" X 8.625"
33	19-1052	1	SERIAL NUMBER DECAL
34	27-0009	1	Swivel Bracket Top Left HSTL2
35	27-0010	1	Swivel Bracket Top Right HSTL2
36	27-0011	1	Swivel Bracket Bottom Left HSTL2
37	27-0012	1	Swivel Bracket Bottom Right HSTL2
38	27-0024	1	Mat, HSTL2
39	27-0035	8	Cover, Pulley, Flat Steel
40	27-0036	12	SPACER, PULLEY BRACKET, HUMAN SPORT
41	27-0037	2	Bracket, Pulley Top Left, HSTL2
42	27-0038	2	Bracket, Pulley Top Right, HSTL2
43	27-0040	2	Bracket, Pulley Top Weight, Front, HS
44	27-0041	2	Bracket, Pulley Top Weight, Rear, HS
45	27-0047	4	ASSY,SWIVEL,HANDLE,HUMAN SPORT
46	27-0058	2	Plate, Lower Spacer, Side Tower Swivel Brackets, HSTL2
47	27-0060	1	Shield, HS Tower, Front, Left
48	27-0061	1	Shield, HS Tower, Front Right
49	27-0062	1	Shield, HS Tower, Rear
50	27-0063	2	Shield, HS Tower, Left/Right
51	27-0090	2	Plate, Upper Spacer, Side Tower Swivel Brackets, HSTL2
52	27-0091	4	Finger Guard HS
53	27-0114	4	Cap, Corner Platform, HSPL & HSTL
54	27-0127	1	Rear Kickplate, SS, HS Total Legs (CAPS)
55	27-0128	1	Front Left Kickplate, SS, HS Total Legs (CAPS)
56	27-0129	1	Front Right Kickplate, SS, HS Total Legs (CAPS)
57	27-0130	1	Left Trim SS, HS Total Legs (CAPS)
58	27-0131	1	Right Trim SS, HS Total Legs (CAPS)
59	60-2000	1	Human Sport Weight Tower
60	61-2006B	1	Crossmember, HSTL2 Platform
61	61-2007B	1	HSTL2 CROSSMEMBER
62	61-2008	1	HSTL2 Top Plate Assembly
63	62-2000	1	Handlebar, HSTL2
64	730-0139	2	HARNESS, TOE, HS
65	730-0140	2	HARNESS, HEEL, HS
66	730-0143	4	CLIP, CARABINER, 1/4" DIA X 2 3/4 L.
67	730-1559	4	GUIDE RODE,Ø22MM X 1438MM
68	731-0040	2	STOP,Ø50X26,RUBBER
69	731-0111	4	STOP,BUMPER,WGT PLT
70	731-0112	4	SET COLLAR, GUIDE ROD, 22.4mm I.D.
71	731-0124	4	CAP,GUIDE ROD,RUBBER
72	731-0165	16	CAP,PLASTIC,PULLEY,Ø120mm
73	731-0169	10	SCREW, M8X1.25,20MM, BHC, HK, ZP
74	731-0209	2	CAP, END, 110 X 50
75	731-0225	2	SCREW,M3.5 X 9.5,SELF TAPPING
76	731-0359	13	SCREW,M8 X 1.25,25mm,BHC,HK, ZP
77	731-0362	10	SCREW,M10 X 1.5,45MM,BHC,HK, ZP
78	731-0363	2	NUT,M10X1.5,NYLOC
79	731-0364	2	SCREW, M8X1.25, 45mm, BHC, HK, ZP
80	731-0365	24	NUT,M8 X 1.25,NYLOC JAM
81	731-0367	24	WASHER,PLAIN,M10
82	731-0368	4	SCREW,M8 X 1.25,40mm,BHC,HK, ZP
83	731-0373	4	WASHER,PLAIN,M6
84	731-0389	10	SCREW,M8 X 1.25,35mm,BHC,HK, ZP
85	731-0512	6	STICKER,CAUTION,PINCH
86	731-0517	2	STICKER, WARNING, BOLT DOWN
87	731-1448	8	NUT,M8 x 1.25,ACORN, CL6
88	731-2647	4	FOOT,LONG,LEVERAGE
89	731-5725	7	RIVET NUT, HEX HEAD,M8
90	91-999	1	Paint (1.5 lbs)
91	95-0687	2	KIT SWIVELING PULLEY ASSEMBLY
92	95-0687	2	KIT SWIVELING PULLEY ASSEMBLY
93	95-0695	1	Human Sport Carbon Fiber Trim Kit
94	OPT-WT-33	1	Human Sport Weight Stack-Left
95	OPT-WT-33	1	Human Sport Weight Stack-Right
96	SM20473	1	TYRAP, 1/8" X 4"

1. All labeled components are to be assembled before shipment unless otherwise noted.
2. All bearings are to be pressed in with force applied to outer ring only.
3. All hardware to be torqued to specs listed in chart below.
4. Special notes if any are shown below.



**HSTL2**

REV H

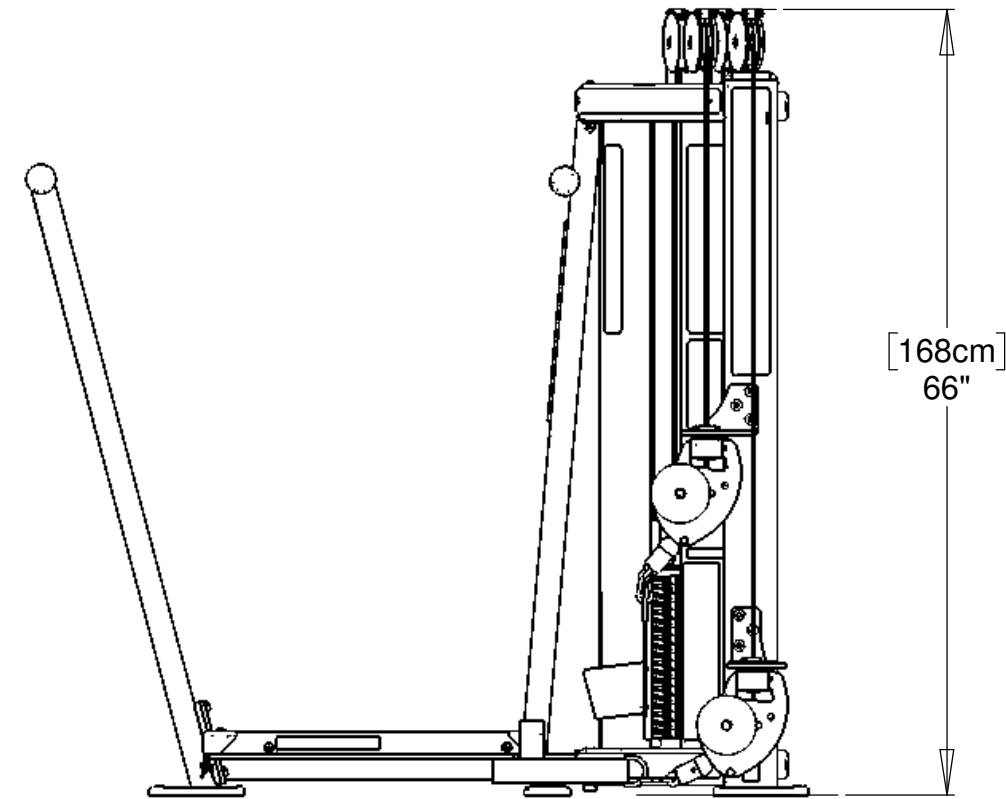
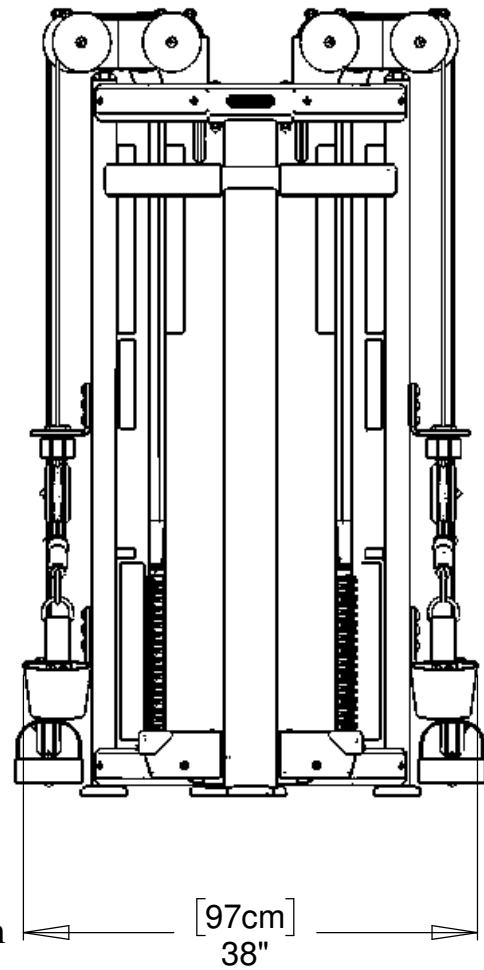
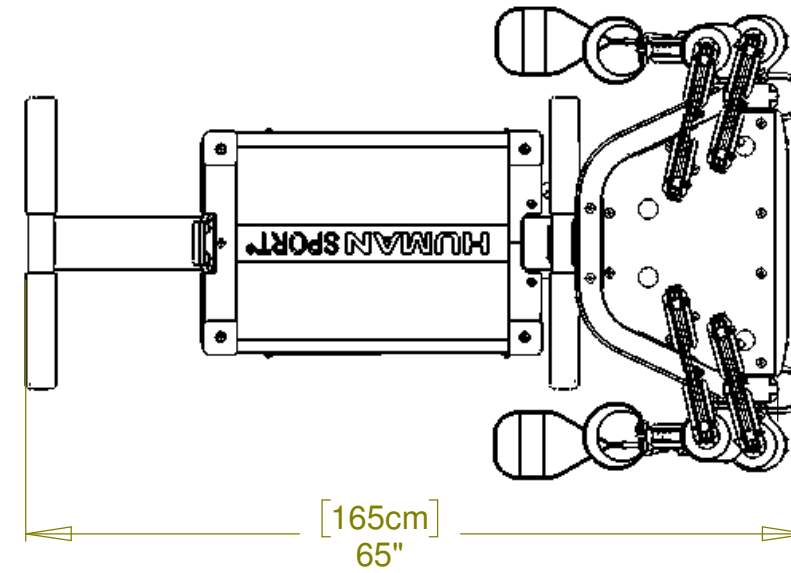
Customer Service & Parts 800-503-1221  
 General Parts Requests: support@startrac.com  
 Core Health and Fitness, LLC.  
 support.startrac.com

Bolt Torque Specifications		
Size	CL 8.8	CL 10.9
	Torque (N-M)	Torque (N-M)
M4-7	3.1	
M6-1	10.4	15.5
M8-1.25	25	37
M10-1.5	51	75
M12-1.75	87	160
M14-2	140	205

**Red: PAINTED ITEMS**  
**Blue: KITS**

1. All labeled components are to be assembled before shipment unless otherwise noted.
2. All bearings are to be pressed in with force applied to outer ring only.
3. All hardware to be torqued to specs listed in chart below.
4. Special notes if any are shown below.

HSTL2 4/10/2015		
Description	US	Metric
Width	65"	165cm
Depth	38"	97cm
Height	66"	168cm
Weight	758 lbs	344 Kgs



Customer Service & Parts 800-503-1221  
General Parts Requests: support@startrac.com  
Core Health and Fitness, LLC.  
[support.startrac.com](http://support.startrac.com)

**HSTL2**

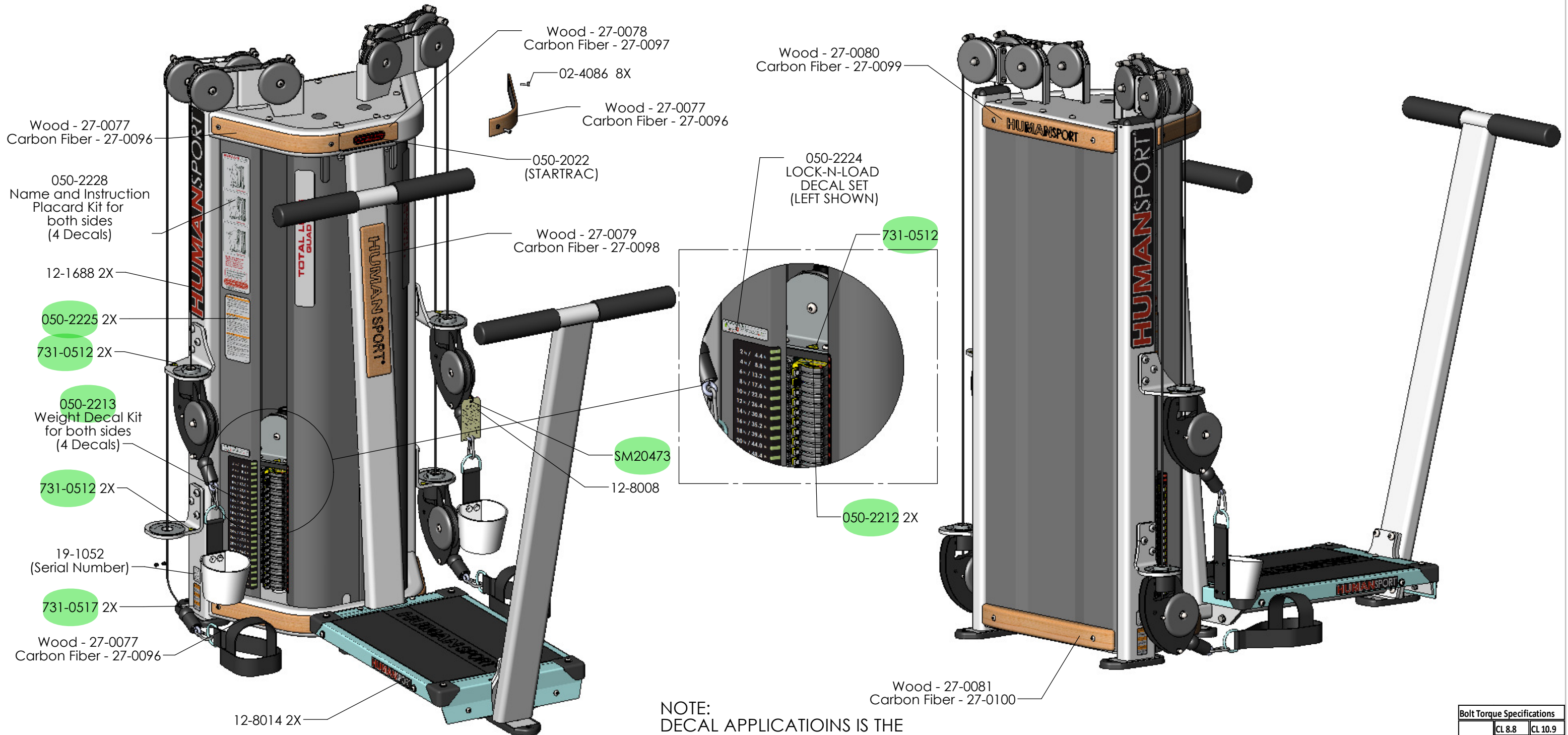
REV H

Bolt Torque Specifications		
Size	CL 8.8	CL 10.9
	Torque (N-M)	Torque (N-M)
M4-7	3.1	
M6-1	10.4	15.5
M8-1.25	25	37
M10-1.5	51	75
M12-1.75	87	160
M14-2	140	205



**Red: PAINTED ITEMS**  
**Blue: KITS**

1. All labeled components are to be assembled before shipment unless otherwise noted.
2. All bearings are to be pressed in with force applied to outer ring only.
3. All hardware to be torqued to specs listed in chart below.
4. Special notes if any are shown below.



NOTE:  
DECAL APPLICATIONS IS THE  
SAME FOR BOTH SIDES.

Customer Service & Parts 800-503-1221  
General Parts Requests: support@startrac.com  
Core Health and Fitness, LLC.  
support.startrac.com

**HSTL2**

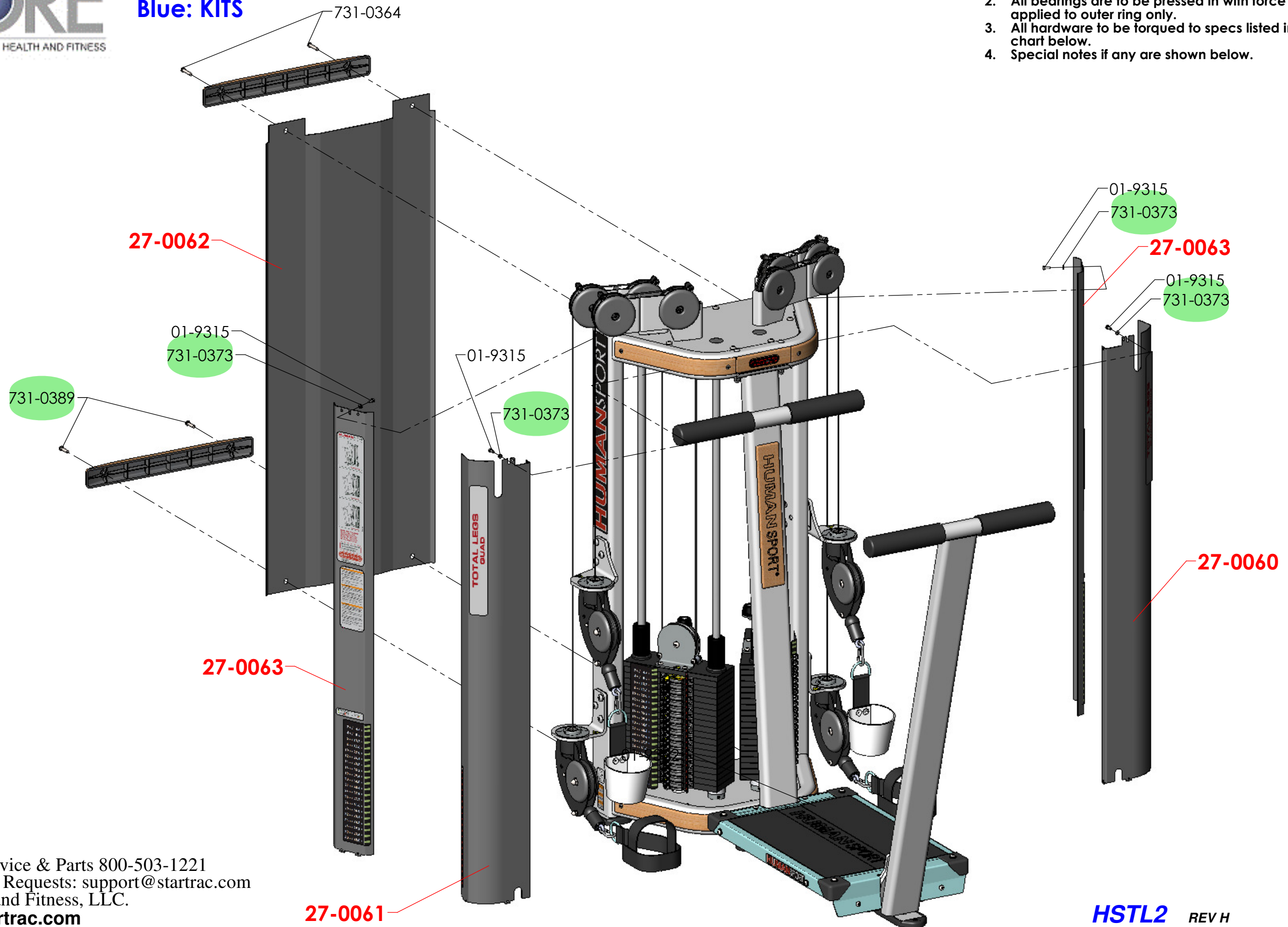
REV H

Bolt Torque Specifications		
Size	CL 8.8	CL 10.9
	Torque (N-M)	Torque (N-M)
M4-7	3.1	
M6-1	10.4	15.5
M8-1.25	25	37
M10-1.5	51	75
M12-1.75	87	160
M14-2	140	205

**Red: PAINTED ITEMS**

**Blue: KITS**

1. All labeled components are to be assembled before shipment unless otherwise noted.
2. All bearings are to be pressed in with force applied to outer ring only.
3. All hardware to be torqued to specs listed in chart below.
4. Special notes if any are shown below.



Customer Service & Parts 800-503-1221  
 General Parts Requests: support@startrac.com  
 Core Health and Fitness, LLC.  
 support.startrac.com

**HSTL2** REV H

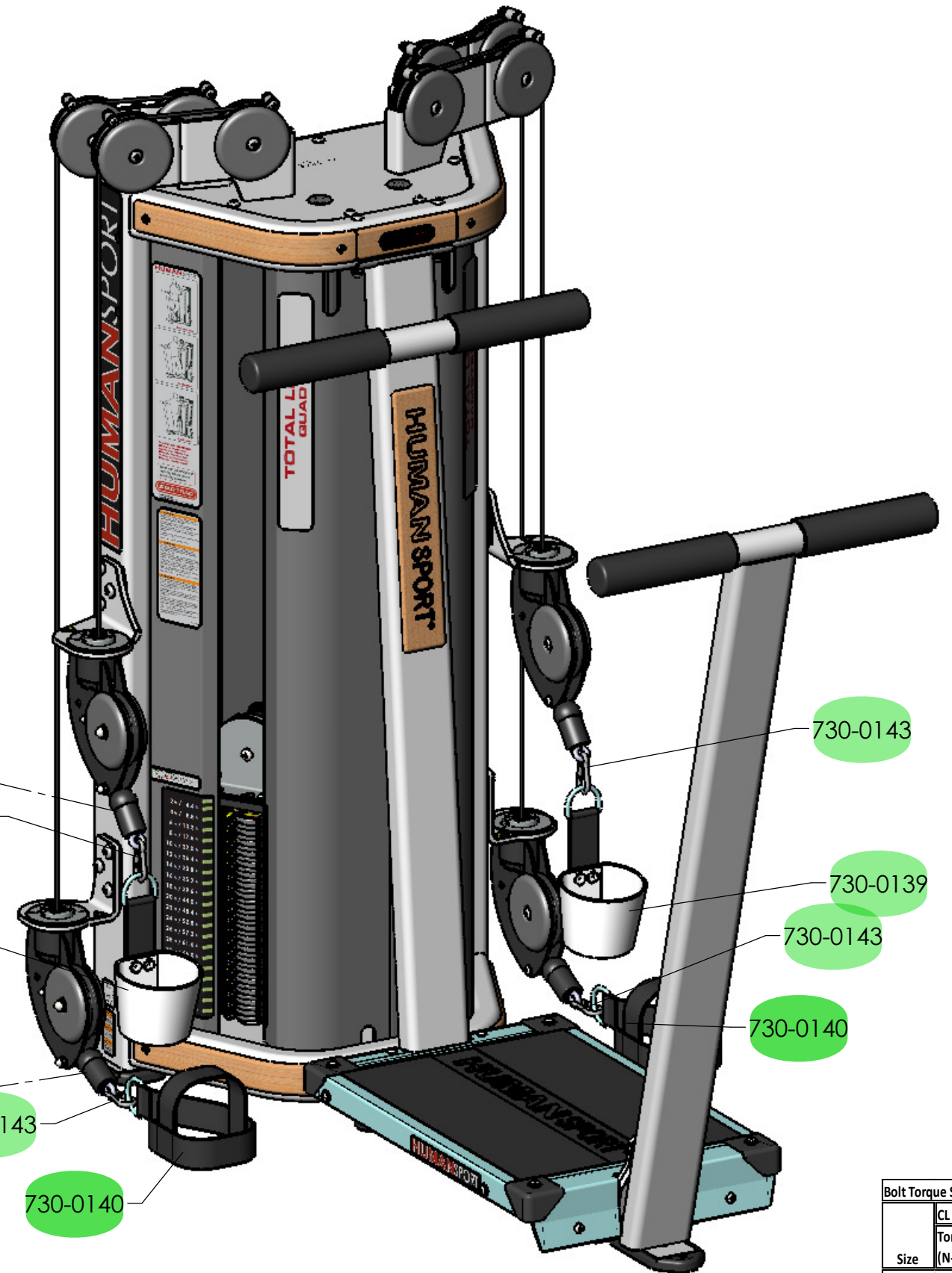
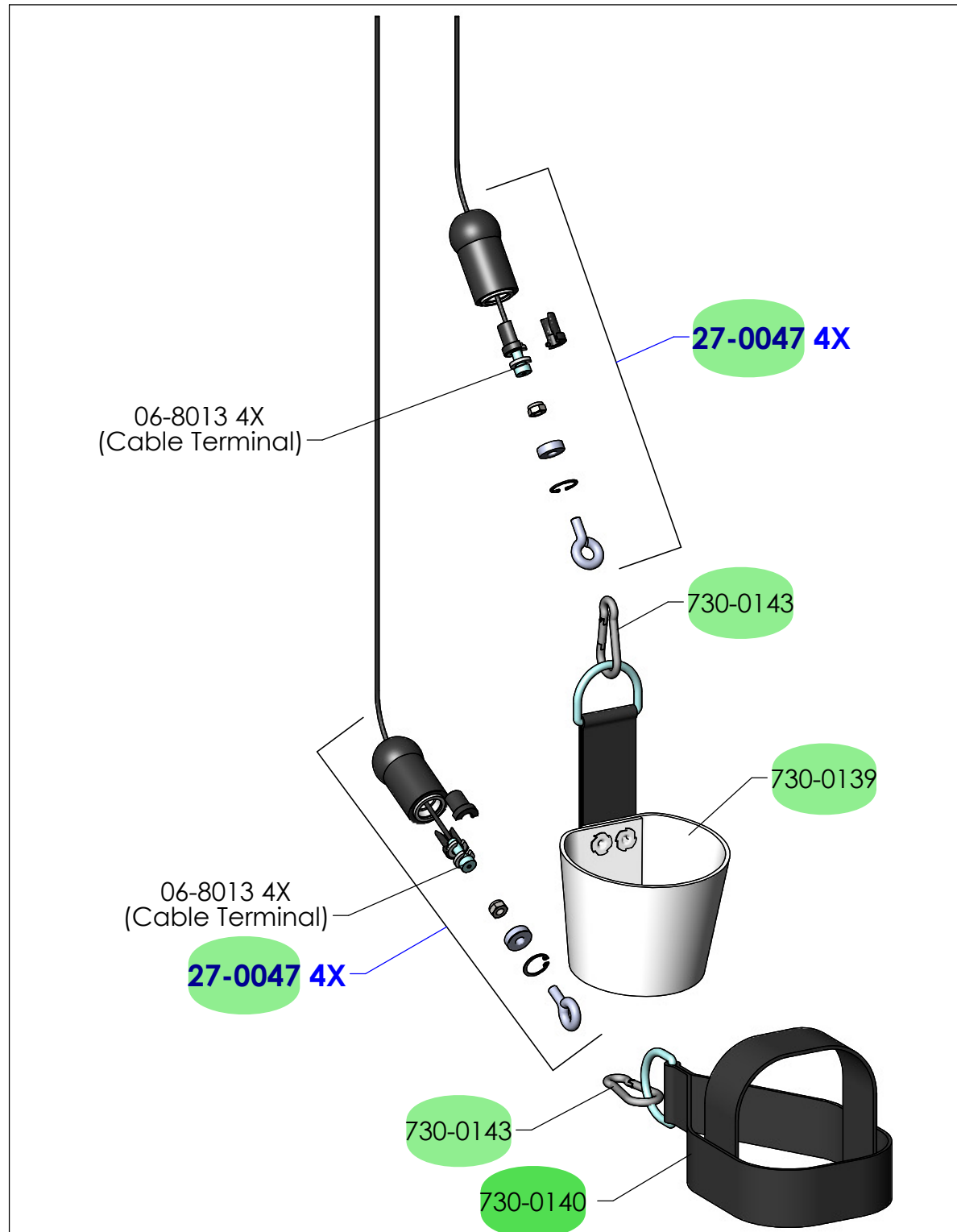
Bolt Torque Specifications		
Size	CL 8.8	CL 10.9
	Torque (N-M)	Torque (N-M)
M4-7	3.1	
M6-1	10.4	15.5
M8-1.25	25	37
M10-1.5	51	75
M12-1.75	87	160
M14-2	140	205



**Red: PAINTED ITEMS**

**Blue: KITS**

1. All labeled components are to be assembled before shipment unless otherwise noted.
2. All bearings are to be pressed in with force applied to outer ring only.
3. All hardware to be torqued to specs listed in chart below.
4. Special notes if any are shown below.



Customer Service & Parts 800-503-1221  
 General Parts Requests: support@startrac.com  
 Core Health and Fitness, LLC.  
[support.startrac.com](http://support.startrac.com)

**HSTL2**

REV H

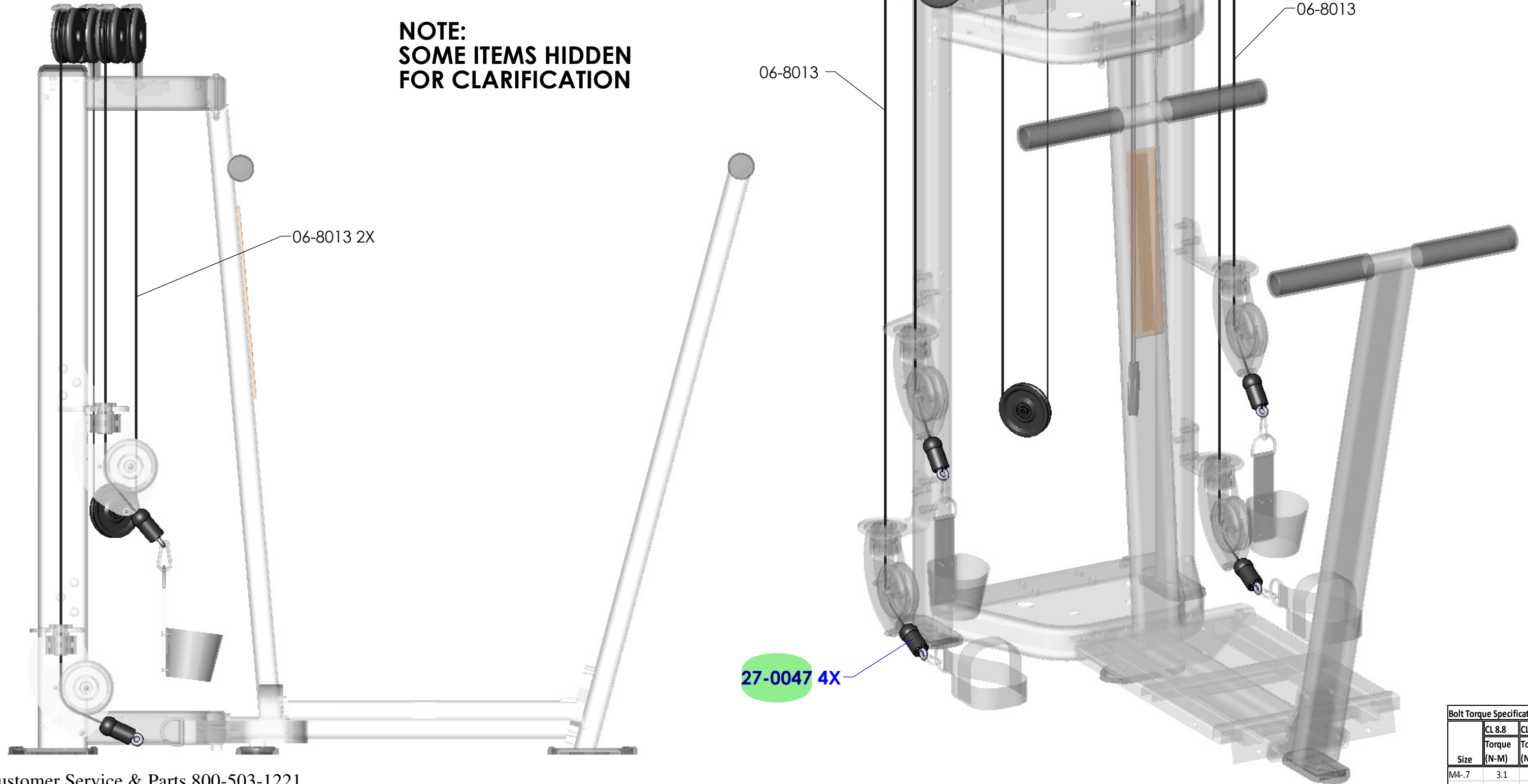
Bolt Torque Specifications		
Size	CL 8.8	CL 10.9
	Torque (N-M)	Torque (N-M)
M4-7	3.1	
M6-1	10.4	15.5
M8-1.25	25	37
M10-1.5	51	75
M12-1.75	87	160
M14-2	140	205

**Red: PAINTED ITEMS**

**Blue: KITS**

1. All labeled components are to be assembled before shipment unless otherwise noted.
2. All bearings are to be pressed in with force applied to outer ring only.
3. All hardware to be torqued to specs listed in chart below.
4. Special notes if any are shown below.

**NOTE:  
SOME ITEMS HIDDEN  
FOR CLARIFICATION**



Customer Service & Parts 800-503-1221  
General Parts Requests: support@startrac.com  
Core Health and Fitness, LLC.  
[support.startrac.com](http://support.startrac.com)

**HSTL2**

**REV H**

Bolt Torque Specifications		
Size	CL 8.8	CL 10.9
	Torque (N-M)	Torque (N-M)
M4-7	3.1	
M6-1	10.4	15.5
M8-1.25	25	37
M10-1.5	51	75
M12-1.75	87	160
M14-2	140	205

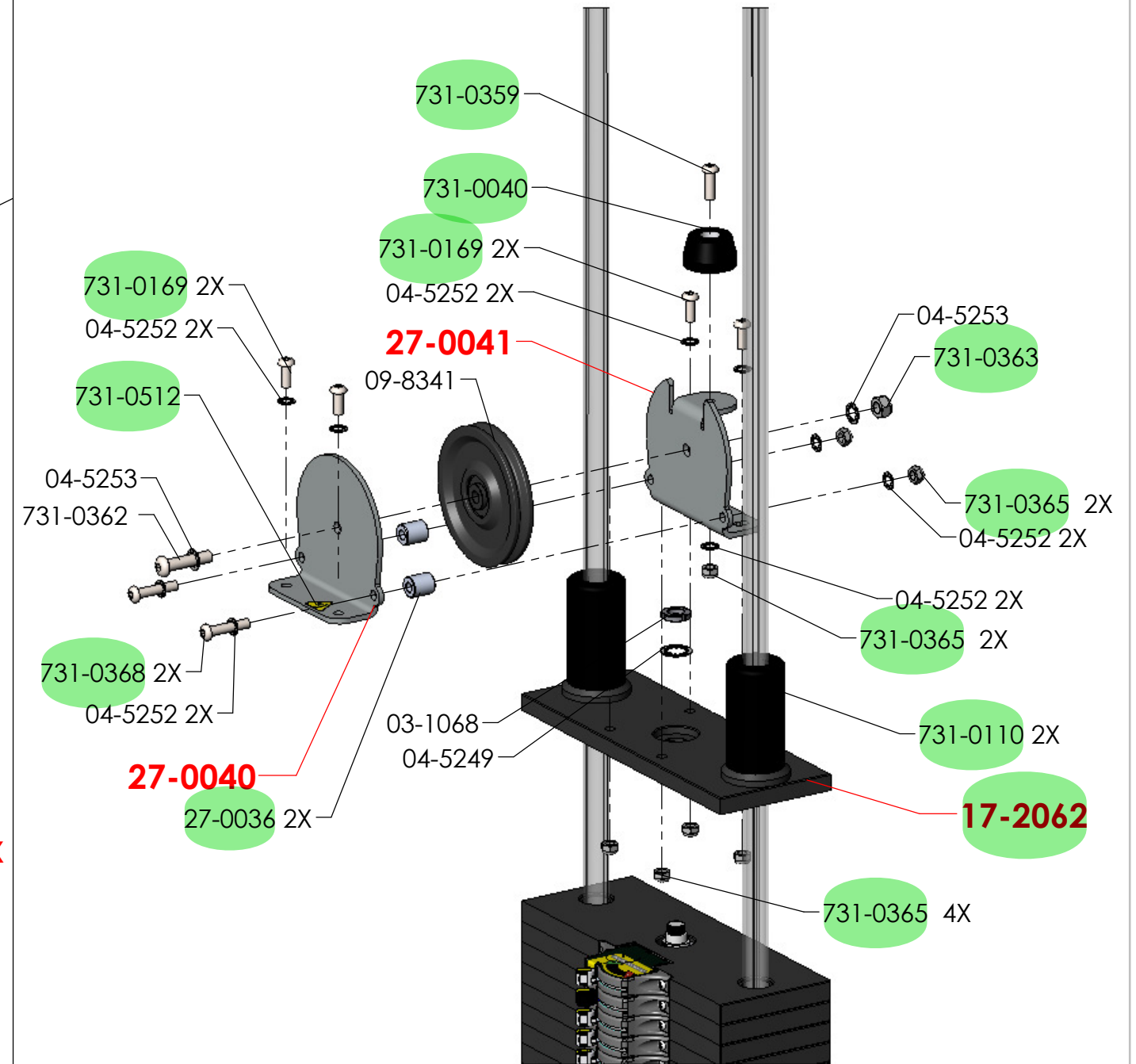
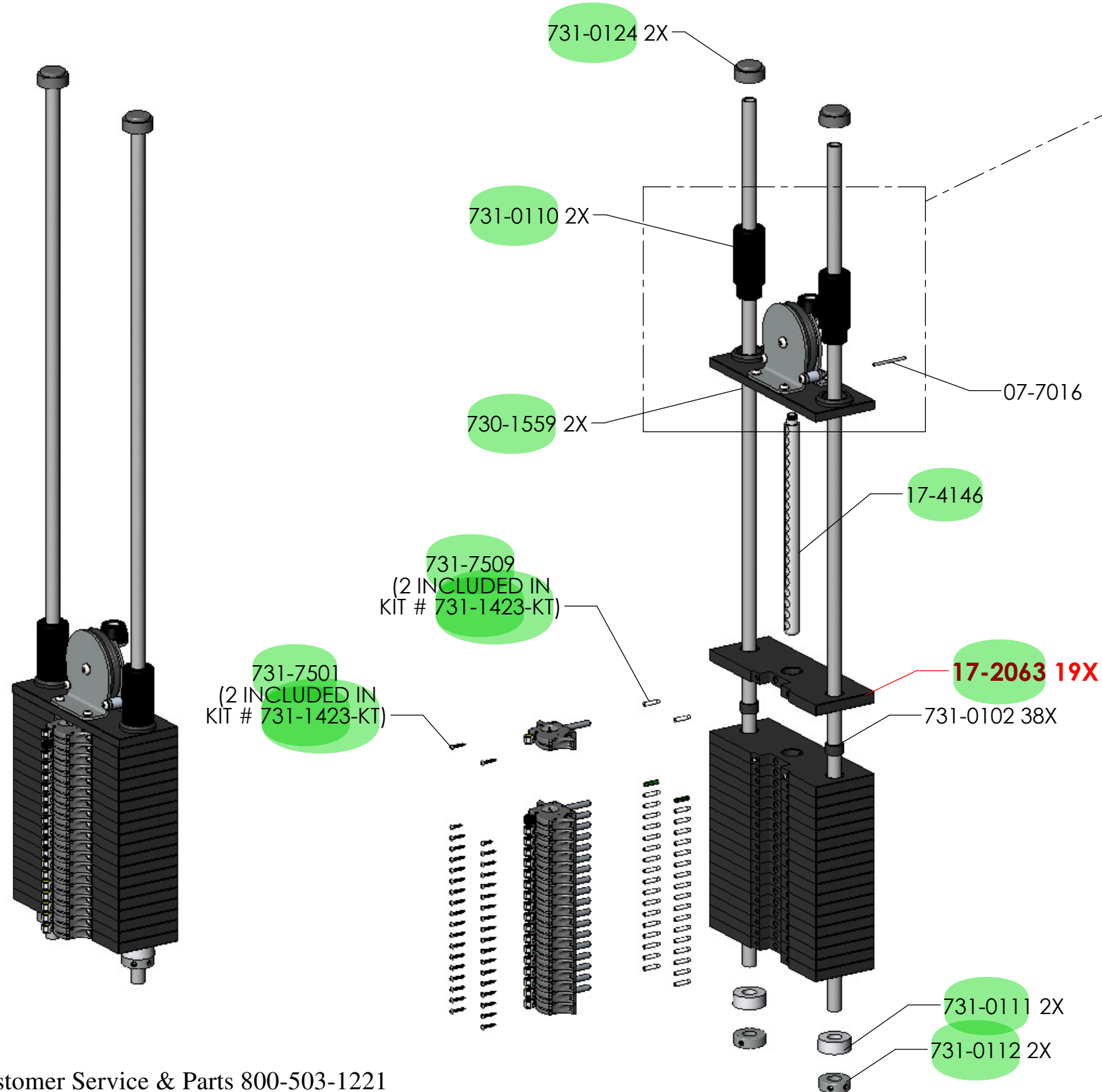




**Red: PAINTED ITEMS**

**Blue: KITS**

1. All labeled components are to be assembled before shipment unless otherwise noted.
2. All bearings are to be pressed in with force applied to outer ring only.
3. All hardware to be torqued to specs listed in chart below.
4. Special notes if any are shown below.



Customer Service & Parts 800-503-1221  
General Parts Requests: support@startrac.com  
Core Health and Fitness, LLC.  
[support.startrac.com](http://support.startrac.com)

**HSTL2**

REV H

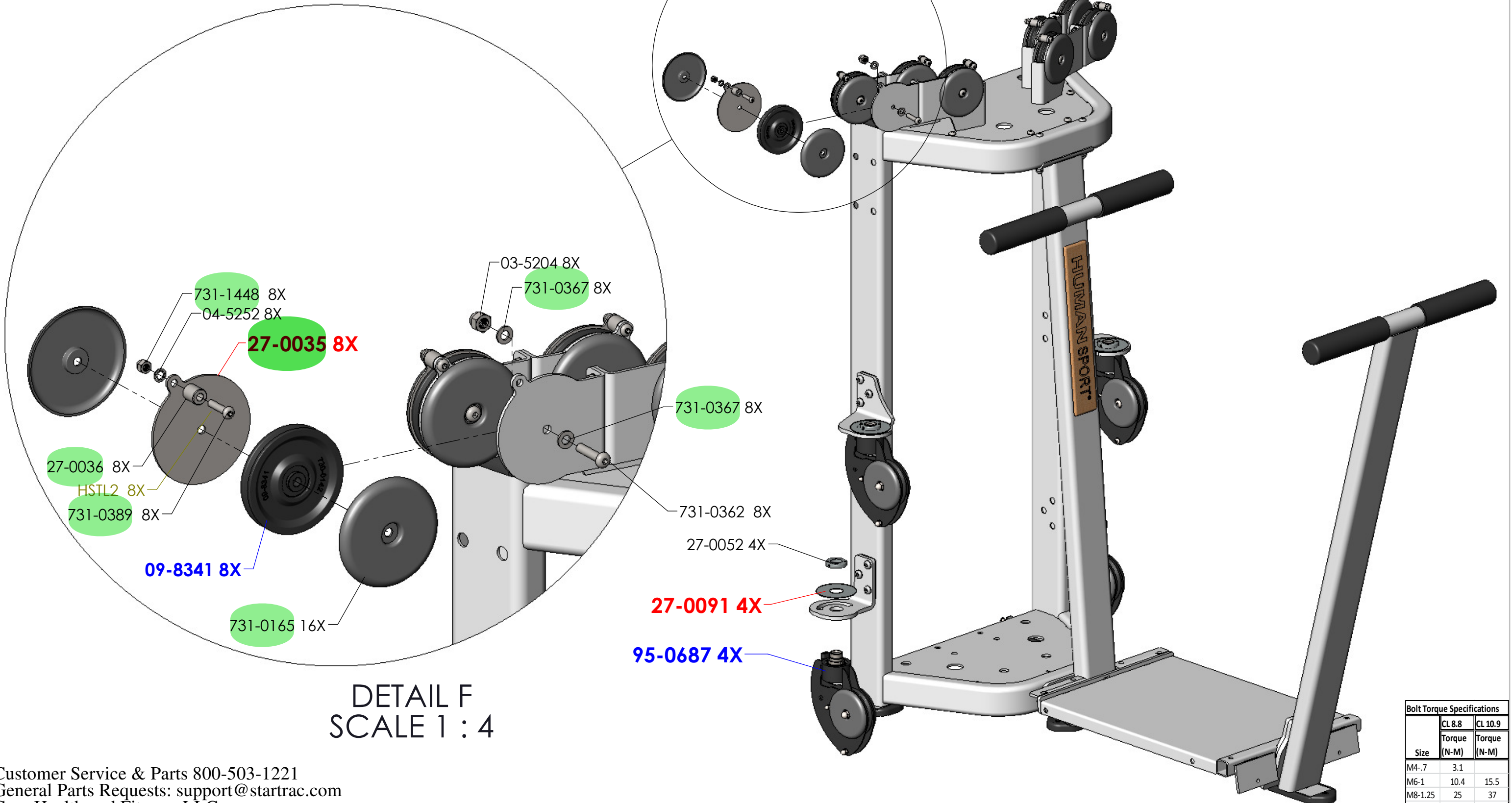
Bolt Torque Specifications		
Size	CL 8.8	CL 10.9
	Torque (N-M)	Torque (N-M)
M4-7	3.1	
M6-1	10.4	15.5
M8-1.25	25	37
M10-1.5	51	75
M12-1.75	87	160
M14-2	140	205



**Red: PAINTED ITEMS**

**Blue: KITS**

1. All labeled components are to be assembled before shipment unless otherwise noted.
2. All bearings are to be pressed in with force applied to outer ring only.
3. All hardware to be torqued to specs listed in chart below.
4. Special notes if any are shown below.



DETAIL F  
SCALE 1 : 4

**HSTL2**

REV H

Customer Service & Parts 800-503-1221  
General Parts Requests: support@startrac.com  
Core Health and Fitness, LLC.  
[support.startrac.com](http://support.startrac.com)

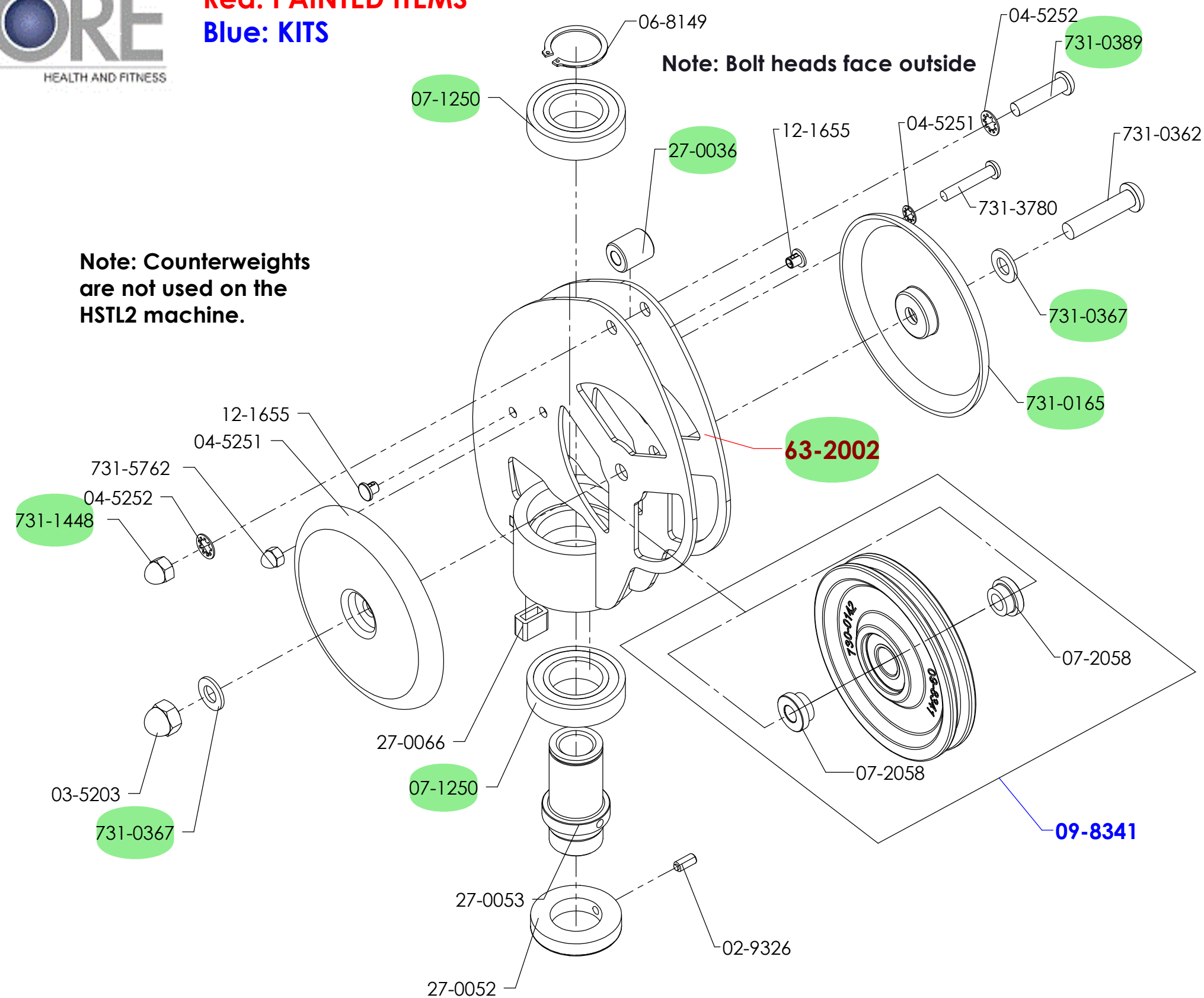
Bolt Torque Specifications		
Size	CL 8.8	CL 10.9
	Torque (N-M)	Torque (N-M)
M4-7	3.1	
M6-1	10.4	15.5
M8-1.25	25	37
M10-1.5	51	75
M12-1.75	87	160
M14-2	140	205

**Red: PAINTED ITEMS**

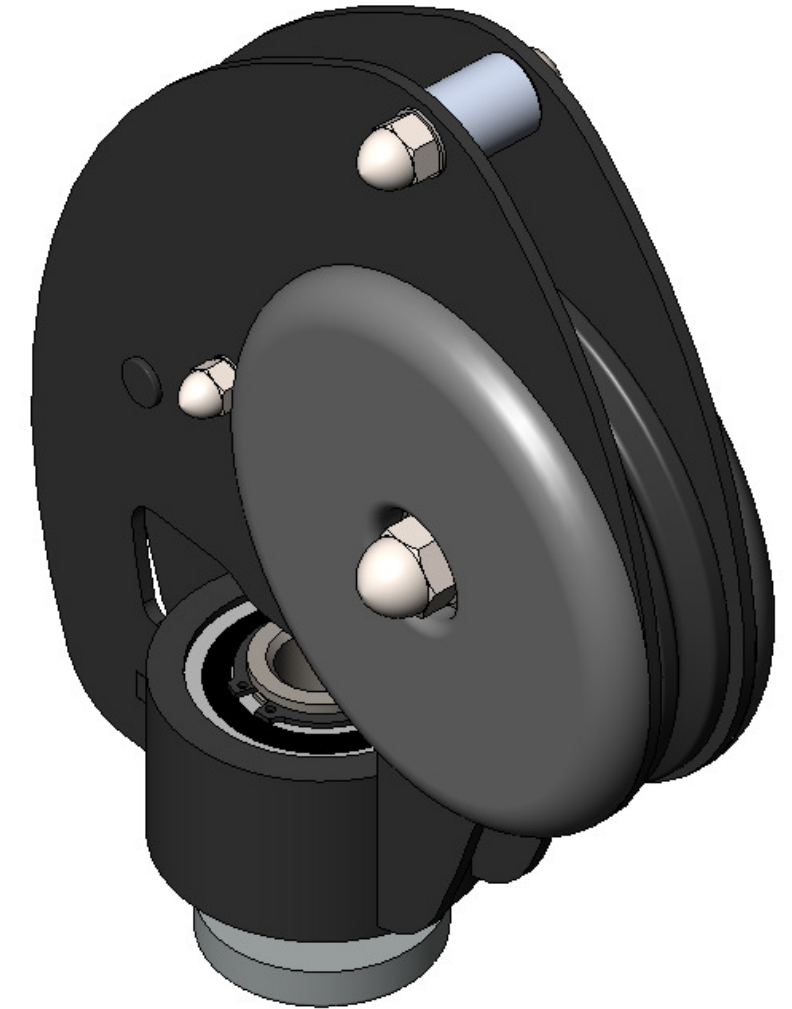
**Blue: KITS**

**Note: Counterweights are not used on the HSTL2 machine.**

**Note: Bolt heads face outside**



1. All labeled components are to be assembled before shipment unless otherwise noted.
2. All bearings are to be pressed in with force applied to outer ring only.
3. All hardware to be torqued to specs listed in chart below.
4. Special notes if any are shown below.



**95-0687**

Customer Service & Parts 800-503-1221  
General Parts Requests: support@startrac.com  
Core Health and Fitness, LLC.  
[support.startrac.com](http://support.startrac.com)

**HSTL2**

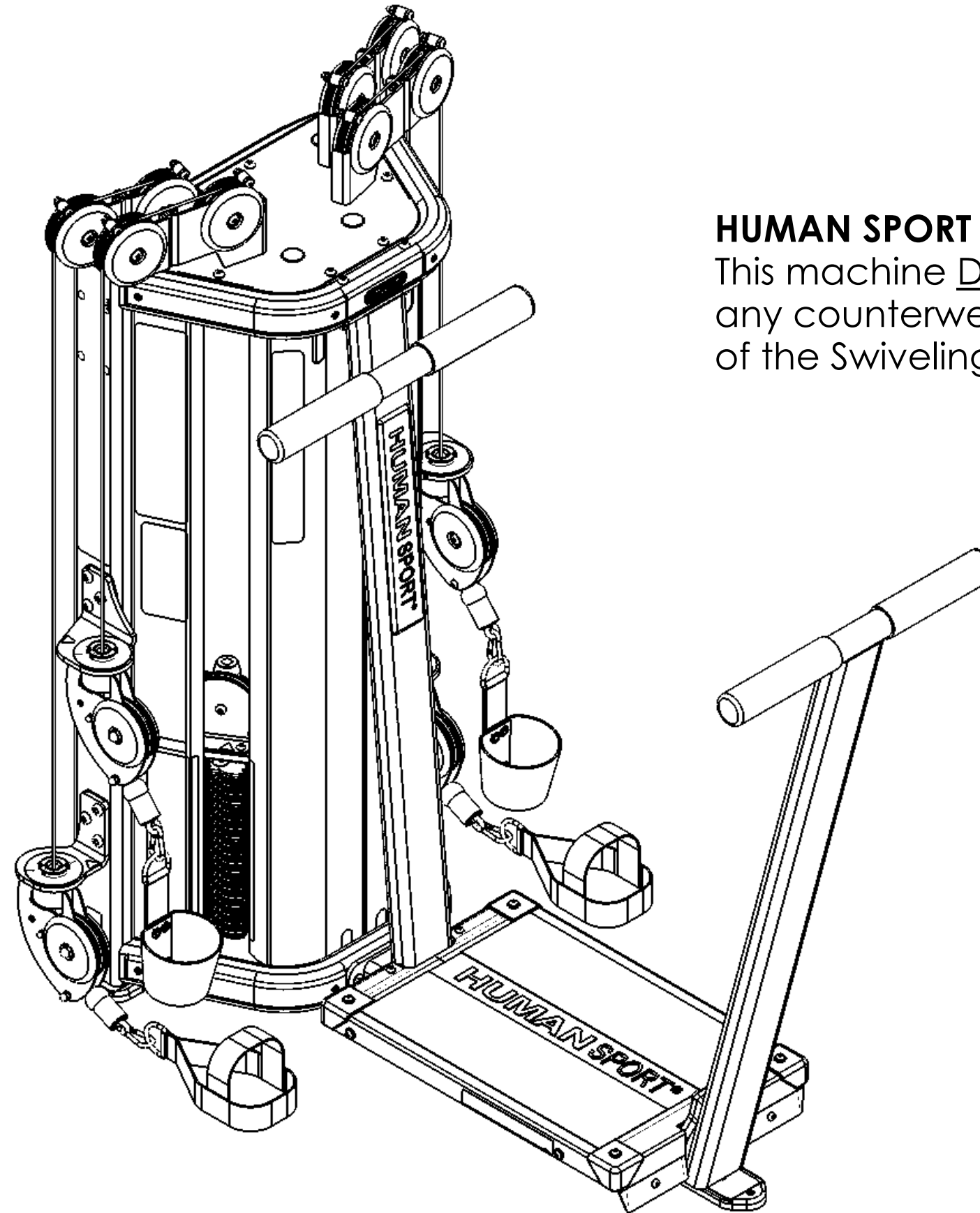
**REV H**

Bolt Torque Specifications		
Size	CL 8.8	CL 10.9
	Torque (N-M)	Torque (N-M)
M4-7	3.1	
M6-1	10.4	15.5
M8-1.25	25	37
M10-1.5	51	75
M12-1.75	87	160
M14-2	140	205



Red: PAINTED ITEMS

Blue: KITS



**HUMAN SPORT TOTAL LEGS:**

This machine DOES NOT get any counterweights on any of the Swiveling Pulley Brackets.

1. All labeled components are to be assembled before shipment unless otherwise noted.
2. All bearings are to be pressed in with force applied to outer ring only.
3. All hardware to be torqued to specs listed in chart below.
4. Special notes if any are shown below.

Bolt Torque Specifications		
Size	CL 8.8	CL 10.9
	Torque (N-M)	Torque (N-M)
M4-7	3.1	
M6-1	10.4	15.5
M8-1.25	25	37
M10-1.5	51	75
M12-1.75	87	160
M14-2	140	205